

CATEGORY	DESCRIPTION	P/N #
CONNECTOR	USB2.0 A TYPE 插式	UB1053-11FXX-XX2D

Part NO.:  
UB1053-11FXX-XX2D

Table 1

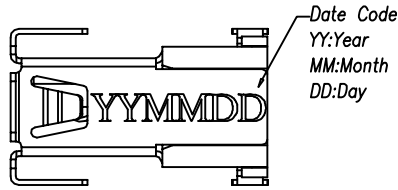
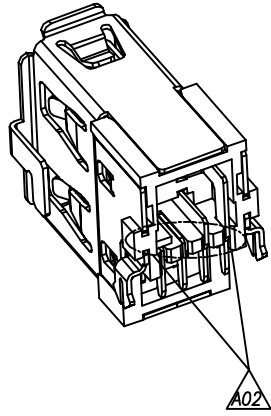
X	Plating Type
1	Gold flash
2	Au: 1u"
3	Au: 5u"
4	Au: 15u"
5	Au: 30u"

Color Scheme

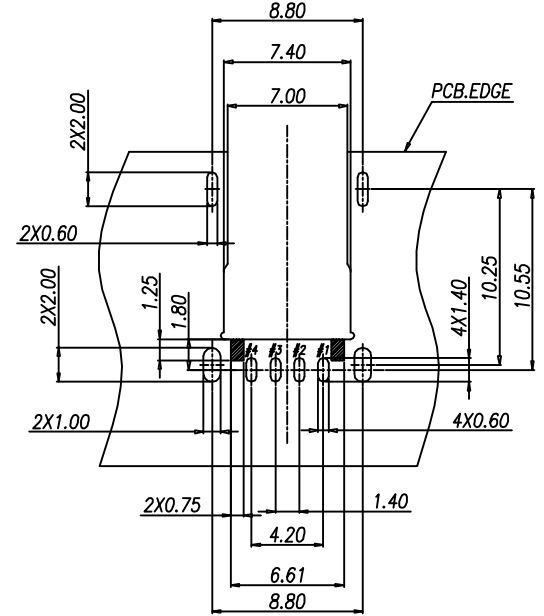
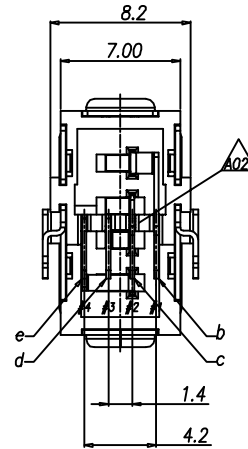
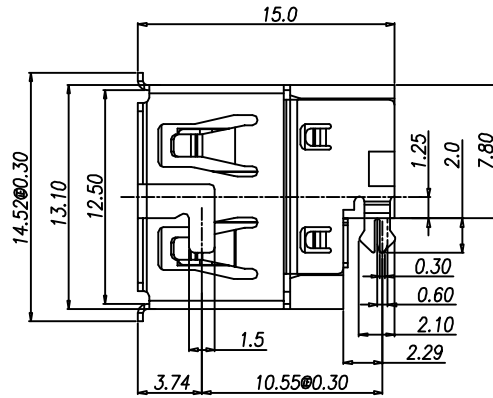
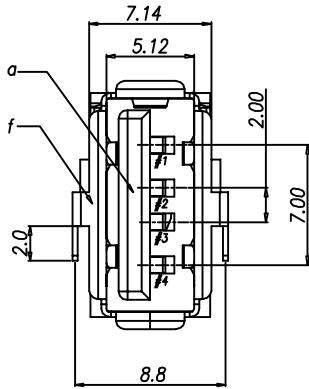
XX	Housing
00	Black
05	Yellow 107C

Table 2

REV.	ECN NO	DESCRIPTION	REVISED	DATE
R01		New Release	FY	2010.08.23
A01	ECN101023001	增加Specifications中的項目,變更"Date Code",變更產品外觀圖面	WGH	2010.10.23
A02		將塑膠後部位結構加厚,可更好管控4PIN端子的正位度。	JackLiu	2011.03.25



- Specifications:
- Rated Current: 1.5A
  - Contact resistance: 30mΩ MAX.
  - Insulation resistance: 1000MΩ MIN.
  - Dielectric withstand: 500V AC for 1 minute
  - Operating temperature: -55°C~+85°C
  - Insert force: 35N MAX.
  - Withdraw force: 10N MIN.
  - To Conform to the "QC-03-045" & "RoHS Directive" & "Halogen-free"



RECOMMEND PCB LAYOUT  
PCB THICKNESS: 1.20mm.  
PCB LAUOUT TOLERANCE: ±0.05mm.

f	Shell	1	BRASS	Ni Plating	
e	Terminal #4	1	BRASS	See Table 1	
d	Terminal #3	1	BRASS	See Table 1	
c	Terminal #2	1	BRASS	See Table 1	
b	Terminal #1	1	BRASS	See Table 1	
a	Housing	1	PA10T UL94V-0 Halogen-free	See Table 2	
NO.	PART NAME	Q'TY	MATERIAL	PLATING & COLOR	Remark

UNLESS OTHERWISE SPECIFIED TOLERANCES		SCALE: 1/1	UNIT: mm	DWG.NO:
DECIMALS: X :±0.5 X.X :±0.3 X.XX :±0.2	ANGLES: X :±2° X.X :±1°	SIZE: A4	PAGE: 10F1	WI-061-959
		APPROVED BY	CHECKED BY	PREPARED BY
<b>CUSTOMER COPY</b>				